

StarterDish 21 UM Antennas 2Pack RF ELEMENTS



Kode : STD-21-UM-2PACK

Brand : RF elements

Jenis : Wireless Antenna

Harga : Rp 1.140.000,00

Rp 2.036.000,00

StarterDish™ UM Antennas - Parabolic dish antennas with a Waveguide connector.

Penawaran Harga Spesial

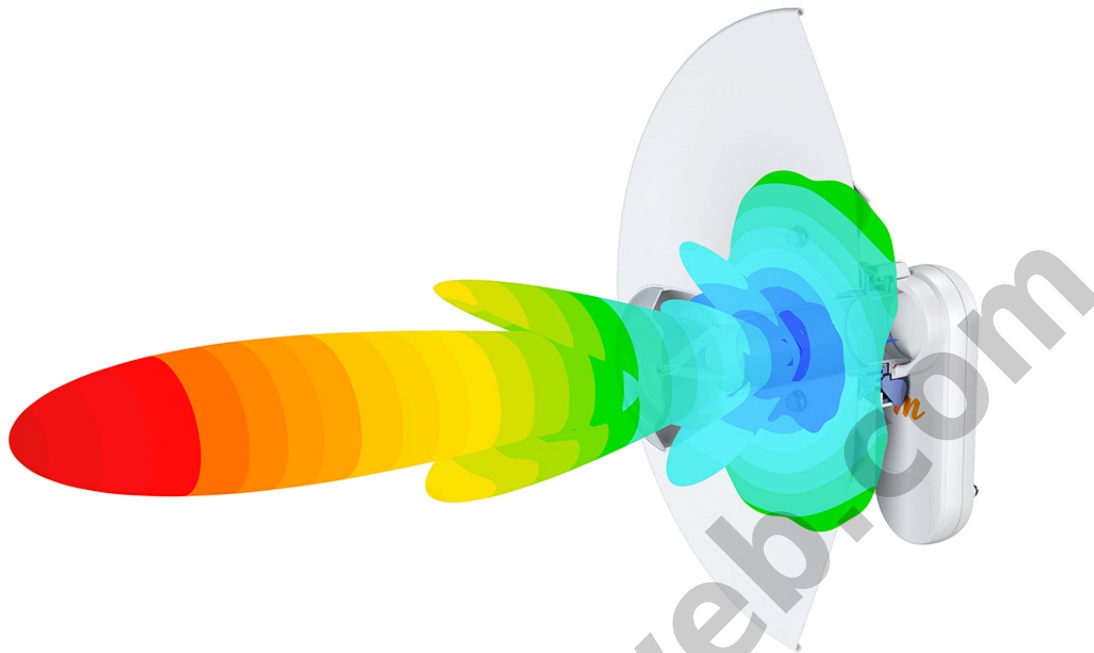
 08112039555

Versatile CPE Antennas

StarterDish™ UM are parabolic dish antennas with high directivity designed for CPE deployment scenarios. The StarterDish™ UM is a convenient and affordable antenna series providing wide range of footprint, gain, and connectivity options.

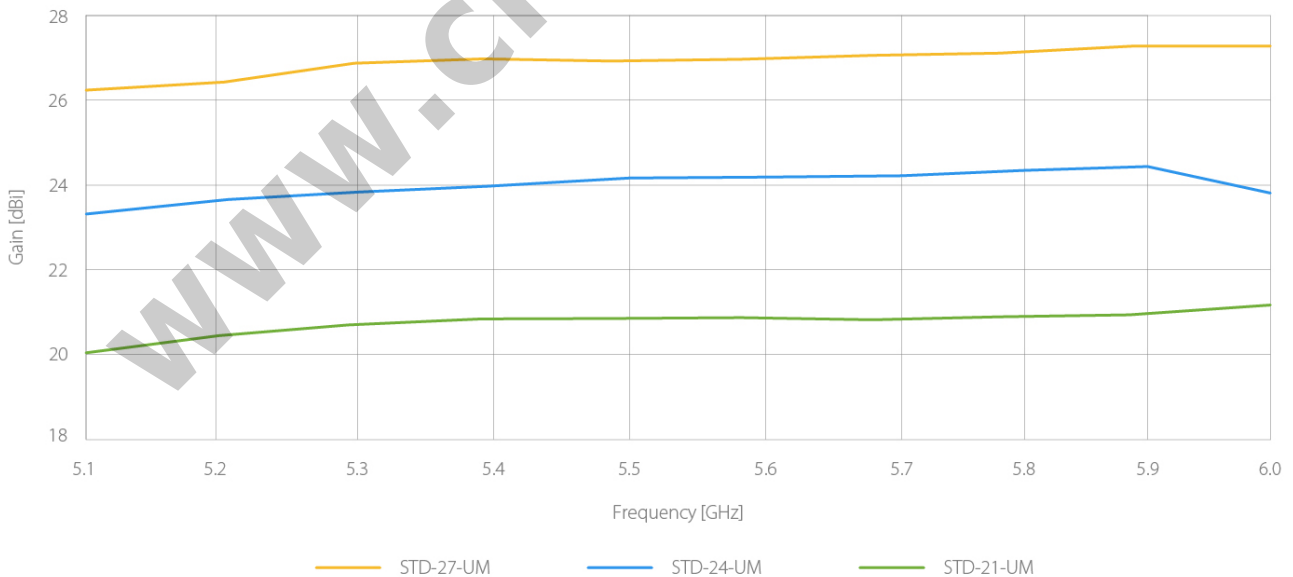
Beam Performance

StarterDish™ UM antennas are designed for the best possible performance having minimized side lobes, enabling their deployment as CPE antennas in high interference environment.



Balanced Gain for Both Polarizations

StarterDish™ UM antennas provide stable gain performance over the whole working frequency band and both polarizations. Stable gain results in dependable field performance when changing radio channels.



Flexible Radio Connectivity

The StarterDish™ UM antennas provide waveguide connection to Ubiquiti Networks waveguide connector and Mimosa waveguide connector straight out of the box. Separately sold StarterAdapter™ enables connectivity with any radio with coaxial interface. This

adapter provides a pair of RP-SMA connectors and is not part of the StarterDish™ UM package.

Slick Pole Mount

StarterDish™ antennas come with integrated pole mount. It is simple, slick, and light weight. The range of pole diameters it supports is from 20 to 55 mm (the upper part of pole diameter range is recommended for the best results).

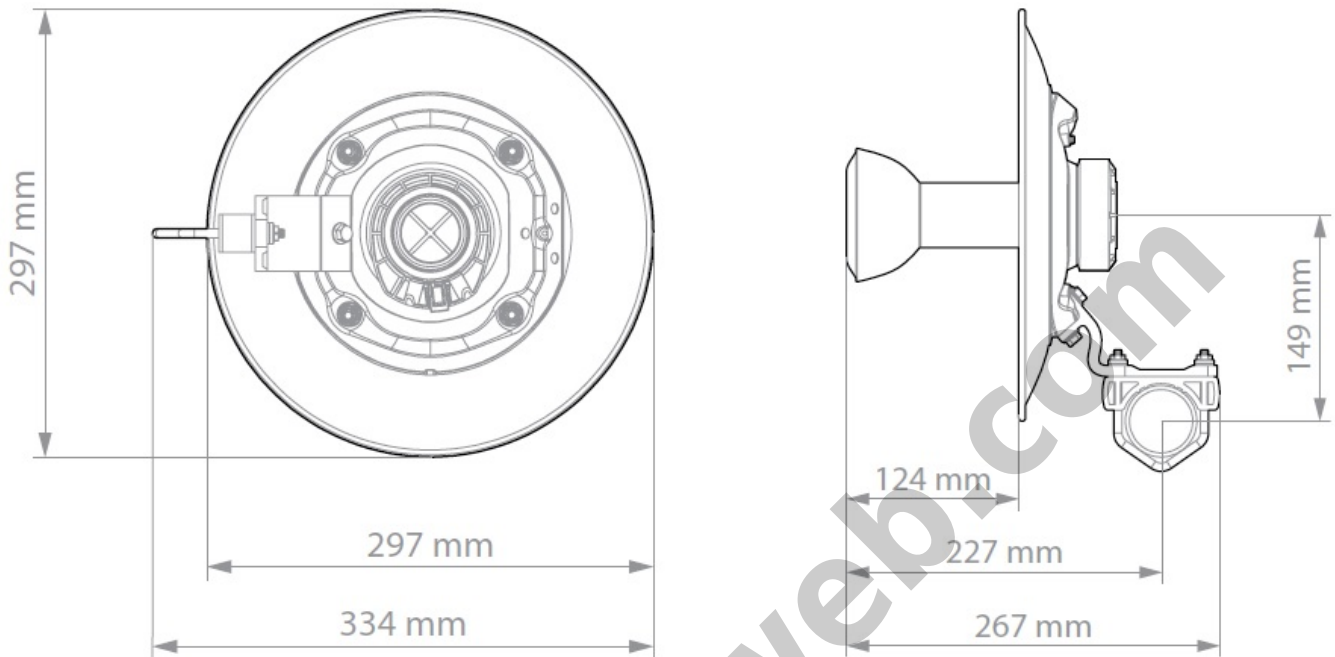
Light Weight

StarterDish™ antennas are very light. Low weight provides multiple benefits when installing CPEs in environment with few mounting options. Low weight is also a big plus for field technicians and installation teams.



Specifications :

| | |
|--------------------------------------|---|
| Antenna Connection | Waveguide Port |
| Antenna Type | Parabolic Dish |
| Materials | UV Resistant ABS Plastic, Aluminium, Steel, Zinc Plated Steel & Stainless Steel Hardware |
| Environmental | IP65 |
| Pole Mounting Diameter | 20-55 mm (recommend as close to 55 mm as possible) |
| Temperature | -35 °C to + 55 °C (-31 °F to + 131 °F) |
| Wind Survival | 160 km/hour |
| Wind Loading | 53 N at 160 km/hour |
| Mechanical Adjustment | ± 15° Elevation |
| Weight | 1.2 kg / 2.6 lbs - single unit (one antenna) 9 kg / 19.8 lbs - 5PACK (5 units) incl. package |
| Dimensions | Retail Box 5PACK: 695 x 447 x 110 mm |
| Gain | 21 dBi |
| Frequency Range | 5150 - 5950 MHz |
| Azimuth Beam Width -6 dB | H 15° / V 15° |
| Elevation Beam Width -6 dB | H 15° / V 15° |
| Azimuth Beam Width -3 dB | H 11° / V 11° |
| Elevation Beam Width -3 dB | H 11° / V 11° |
| Beam Efficiency* | 28.00% |
| Front-to-Back Ratio (Min) | 24 dB |
| COMPATIBLE WIRELESS PLATFORMS | |
| RF elements® | StarterAdapter™ SMA |
| Mimosa® by Airspan | C5x |
| Ubiquiti Networks® | PrismStation™ 5AC, IsoStation™ 5AC, IsoStation™ M5 |



[Download DataSheet](#)

[Download UserGuide](#)

* Harga, spesifikasi, dan ketersediaan bisa berubah dan tidak mengikat

URL : <https://www.citraweb.com/produk/902/>

Informasi lebih lanjut, pemesanan dan pembelian, hubungi: 0274-554444 atau email sales@citraweb.com