

# TwistPort Adaptor for ePMP 2000 AP RF ELEMENTS



**Kode** : TP-ADAP-e2K

**Brand** : RF elements

**Jenis** : Wireless Antenna

**Harga** : Rp 380.000,00

Rp 650.000,00

TwistPort™ Adaptor for ePMP 2000 is compatible with Cambium Networks™ ePMP 2000 AP radio and ePMP Force 400C radio.

TwistPort™ Adaptors cover an ultra-wideband spectrum of 5180-6400 MHz and perform with superb efficiency with very well managed VSWR across the spectrum.

**\*Not include radio and antenna**

Penawaran Harga Spesial

08112039555

## What is TwistPort™ Adaptor

TwistPort™ Adaptor adapts 3rd party radios to RF elements® proprietary TwistPort™ waveguide connector. Integration of the radio is smooth and requires no tools. Making 3rd party radios compatible with TwistPort™ allows for using the radio with any TwistPort™ antenna ever made and enable superior performance, noise immunity and network scalability.

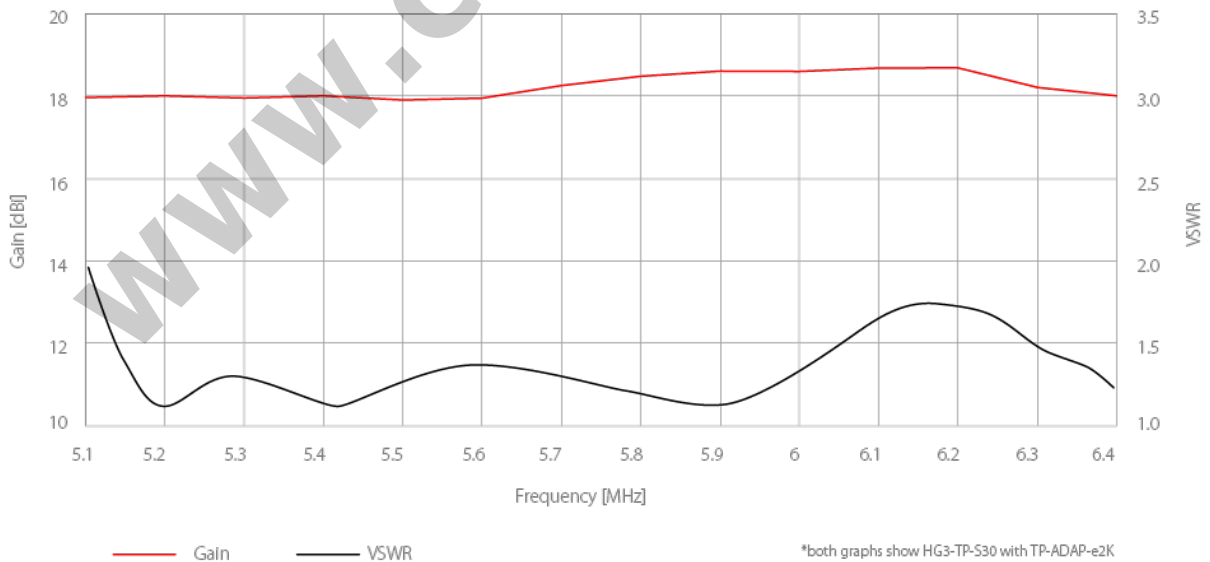
## For ePMP 2000 and ePMP Force 400C radio

TwistPort™ Adaptor for ePMP 2000 is compatible with Cambium Networks™ ePMP 2000 AP radio and ePMP Force 400C radio.



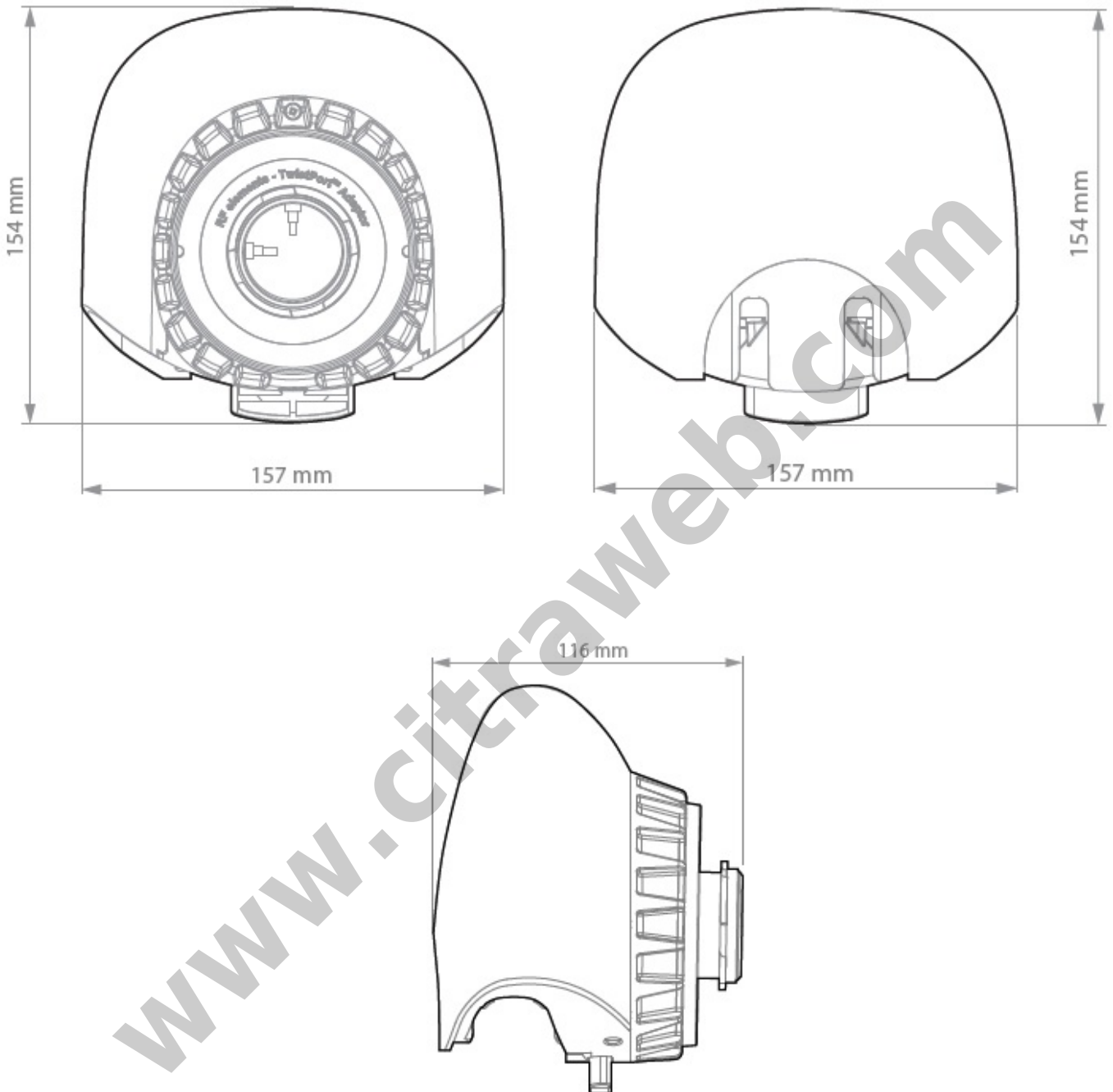
**Market Leading Performance**

TwistPort™ Adaptors cover an ultra-wideband spectrum of 5180-6400 MHz and perform with superb efficiency and great VSWR.



**Specifications :**

Antenna Connection	TwistPort™ - Quick Locking Waveguide Port
Radio Connection	2x Slide-On RP-SMA
Materials	Insert - Aluminium Alloy
	Adaptor - UV stabilized and weather resistant ABS plastic
Flame Rating	UL 94 HB
Temperature	-40°C to +60°C (-40°F to +140°F)
Wind Survival	160 km/h
Weight	0.4 Kg / 0.9 lbs - single unit
	0.5 Kg / 1.1 lbs - single unit incl. package
	11.2 Kg / 24.7 lbs - carton (20 units)
Single Unit	Retail Box: 13 x 12 x 13.5 cm
Frequency Range	5180 - 6400 MHz
Polarization	Dual Linear H + V
VSWR Max	1.8
Impedance	50 Ohm
COMPATIBLE WIRELESS PLATFORMS	
RF elements®	any TwistPort™ Antenna
Cambium Networks™	ePMP™ 2000 AP, ePMP™ Force 400C



[Download DataSheet](#)

[Download UserGuide](#)

\* Harga, spesifikasi, dan ketersediaan bisa berubah dan tidak mengikat

URL : <https://www.citraweb.com/produk/883/>

Informasi lebih lanjut, pemesanan dan pembelian, hubungi: 0274-554444 atau email [sales@citraweb.com](mailto:sales@citraweb.com)