

# StarterDish 21 UM Antennas 5Pack RF ELEMENTS



**Kode** : STD-21-UM-5PACK

**Brand** : RF elements

**Jenis** : Wireless Antenna

**Harga** : Rp 2.750.000,00

Rp 4.965.000,00

StarterDish™ UM Antennas - Parabolic dish antennas with a Waveguide connector.

Penawaran Harga Spesial

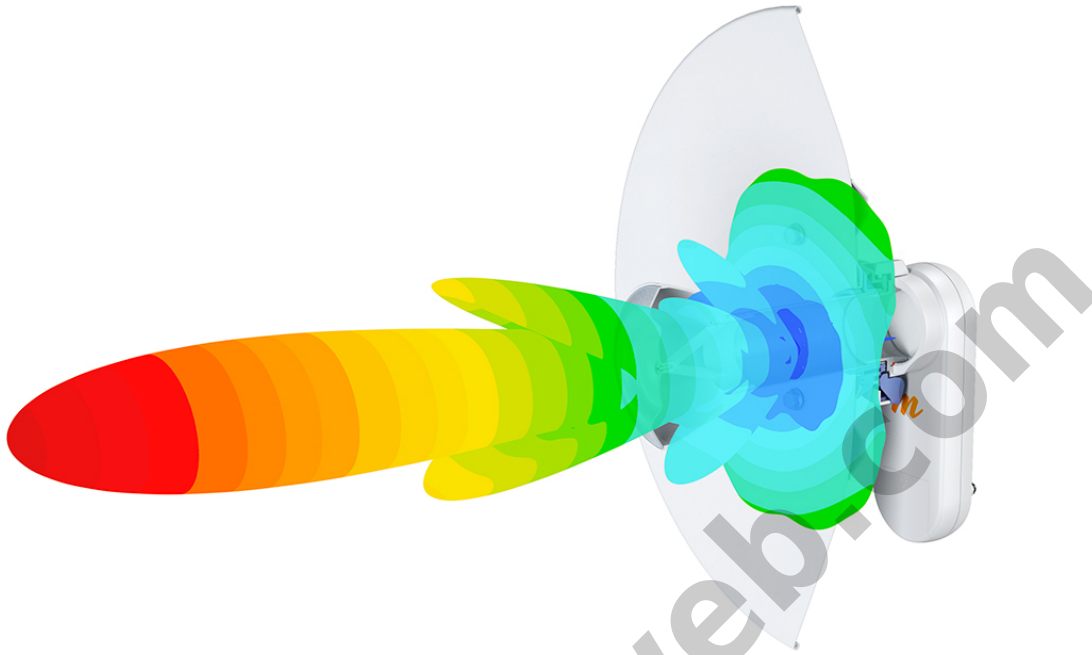
 08112039555

## Versatile CPE Antennas

StarterDish™ UM are parabolic dish antennas with high directivity designed for CPE deployment scenarios. The StarterDish™ UM is a convenient and affordable antenna series providing wide range of footprint, gain, and connectivity options.

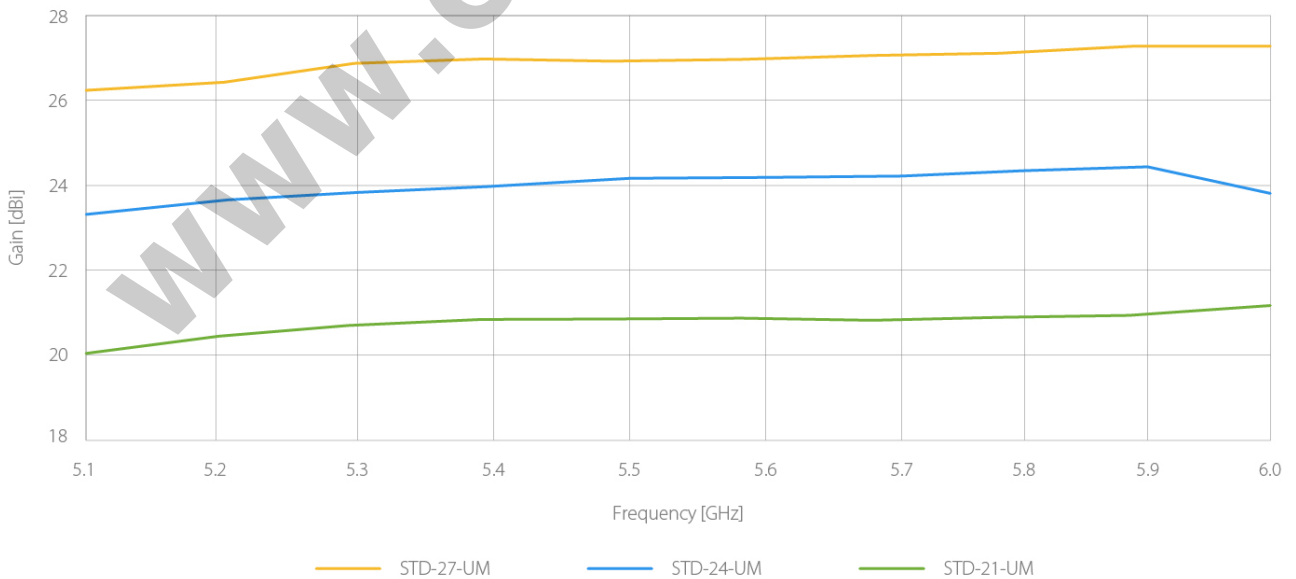
## Beam Performance

StarterDish™ UM antennas are designed for the best possible performance having minimized side lobes, enabling their deployment as CPE antennas in high interference environment.



**Balanced Gain for Both Polarizations**

StarterDish™ UM antennas provide stable gain performance over the whole working frequency band and both polarizations. Stable gain results in dependable field performance when changing radio channels.



### **Flexible Radio Connectivity**

The StarterDish™ UM antennas provide waveguide connection to Ubiquiti Networks waveguide connector and Mimosa waveguide connector straight out of the box. Separately sold StarterAdapter™ enables connectivity with any radio with coaxial interface. This adapter provides a pair of RP-SMA connectors and is not part of the StarterDish™ UM package.

### **Slick Pole Mount**

StarterDish™ antennas come with integrated pole mount. It is simple, slick, and light weight. The range of pole diameters it supports is from 20 to 55 mm (the upper part of pole diameter range is recommended for the best results).

### **Light Weight**

StarterDish™ antennas are very light. Low weight provides multiple benefits when installing CPEs in environment with few mounting options. Low weight is also a big plus for field technicians and installation teams.



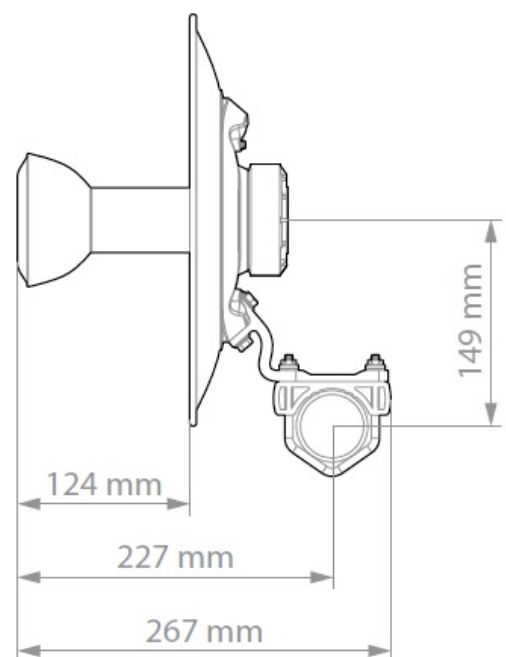
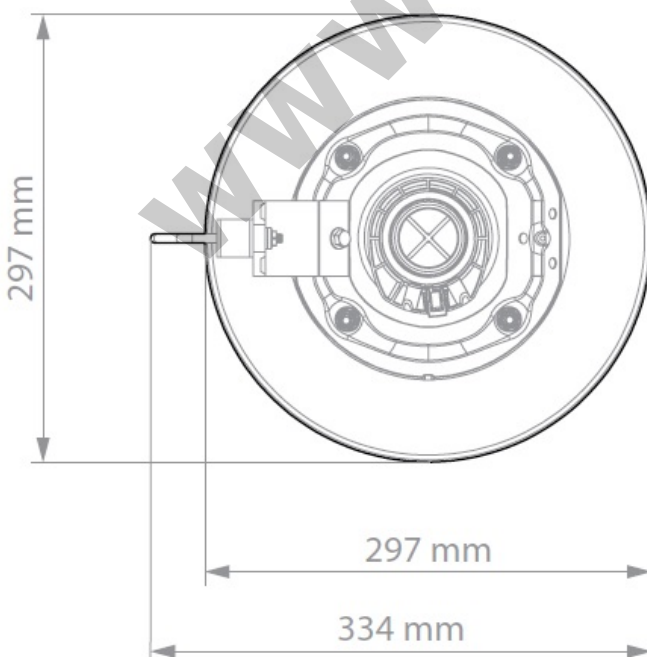
**Cost-efficient Multi Packs**

StarterDish™ UM Antennas come in cost-efficient five-packs to minimize shipping costs and packaging waste. Minimized amount of packaging elements saves time in workshop when preparing bulk deployments.


**Specifications :**

Antenna Connection	Waveguide Port
Antenna Type	Parabolic Dish
Materials	UV Resistant ABS Plastic, Aluminium, Steel, Zinc Plated Steel & Stainless Steel Hardware
Environmental	IP65
Pole Mounting Diameter	20-55 mm (recommend as close to 55 mm as possible)
Temperature	-35 °C to + 55 °C (-31 °F to + 131 °F)
Wind Survival	160 km/hour
Wind Loading	53 N at 160 km/hour
Mechanical Adjustment	± 15° Elevation

Weight	1.2 kg / 2.6 lbs - single unit (one antenna)
	9 kg / 19.8 lbs - 5PACK (5 units) incl. package
Dimensions	Retail Box 5PACK: 695 x 447 x 110 mm
Gain	21 dBi
Frequency Range	5150 - 5950 MHz
Azimuth Beam Width -6 dB	H 15° / V 15°
Elevation Beam Width -6 dB	H 15° / V 15°
Azimuth Beam Width -3 dB	H 11° / V 11°
Elevation Beam Width -3 dB	H 11° / V 11°
Beam Efficiency*	28.00%
Front-to-Back Ratio (Min)	24 dB
<b>COMPATIBLE WIRELESS PLATFORMS</b>	
RF elements®	StarterAdapter™ SMA
Mimosa® by Airspan	C5x
Ubiquiti Networks®	PrismStation™ 5AC, IsoStation™ 5AC, IsoStation™ M5



[Download DataSheet](#)

[Download UserGuide](#)

\* Harga, spesifikasi, dan ketersediaan bisa berubah dan tidak mengikat

**URL :** <https://www.citraweb.com/produk/877/>

**Informasi lebih lanjut, pemesanan dan pembelian, hubungi: 0274-554444 atau email [sales@citraweb.com](mailto:sales@citraweb.com)**

[www.citraweb.com](http://www.citraweb.com)