

TwistPort™ Adaptors TP-ADAPTOR-RB RF ELEMENTS



Kode : TP-ADAPTOR-RB

Brand : RF elements

Jenis : Wireless Antenna

Harga : Rp 35.000,00

Rp 415.000,00

TwistPort Adaptors make most popular connectorized radios and MikroTik RouterBoards compatible with TwistPort antennas. Integration into TwistPort eco-system ensures the benefits of low loss, high scalability, easy co-location, simple deployment and easy maintenance.

Paket ini hanya BOX Enclosure only, Tidak termasuk Routerboard dan Antenna

Penawaran Harga Spesial

 08112039555

TwistPort™ Adaptors TP-ADAPTOR-RB

The TwistPort Adaptor for RouterBoards makes RouterBoard™ 9 series, 7 series and 4 series compatible with all TwistPort™ Antennas. TwistPort™ Adaptors are equipped with our original quick locking waveguide port. Installing compatible RouterBoards in our TwistPort™ Adaptor is very simple and requires no tools.



COMPATIBLE WIRELESS PLATFORMS

RF elements® : any Symmetrical Horn TP Antenna, any UltraDish™ TP Antenna

MikroTik™ : RouterBoard™ RB91x, RB71x, RB411L

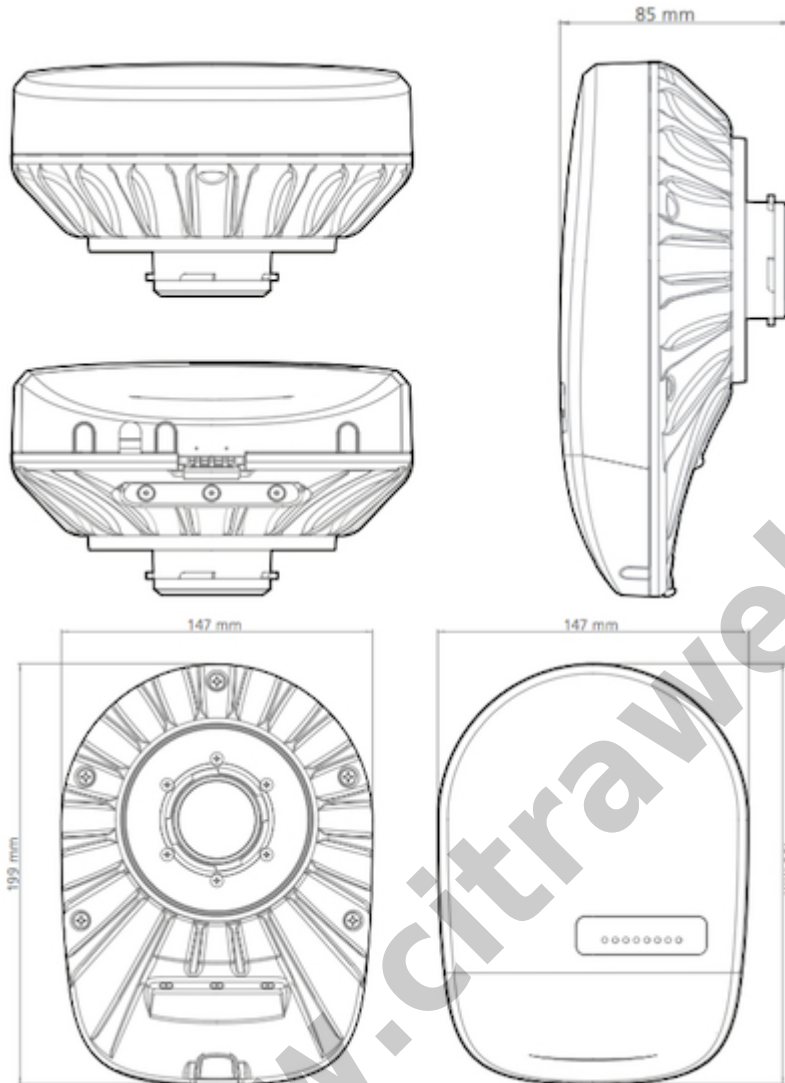


Content :

- TwistPort™ Adaptor RB Body
- TwistPort™ Adaptor RB Sticker A
- TwistPort™ Adaptor RB Sticker B
- Screw 2,9 x 6,5 mm (4 pcs)

TECHNICAL DATA

Antenna Connection	: TwistPort™ - Quick Locking Waveguide Port
Radio Connection	: 2x Right Angle MMCX (Pigtail included)
Materials	: Insert - Aluminium Alloy Body - UV stabilized and weather resistant ABS plastic
Flame Rating	: UL 94 HB
Temperature	: -40°C to +60°C (-40°F to +140°F)
Wind Survival	: 160 km/hour
Weight	: 0.6 Kg / 1.3 lbs - single unit incl. package
Single Unit Retail Box	: Retail Box: 21.3 x 15.3 x 9 cm



* Harga, spesifikasi, dan ketersediaan bisa berubah dan tidak mengikat

URL : <https://www.citraweb.com/produk/519/>

Informasi lebih lanjut, pemesanan dan pembelian, hubungi: 0274-554444 atau email sales@citraweb.com