

StationBox® XL 5Ghz



Kode : StationBox-XL-5
Kategori : RF Elements
Harga : Rp 660.000,00

StationBox® XL is outdoor enclosure with built-in high gain dual polarization antenna. It is designed for easy integration with MikroTik RouterBoards and deployment as mid range CPE or short distance PtP connection.

With Antenna 19dBi gain, Dual Polarization (MIMO).

Paket ini hanya Box only, Tidak termasuk Routerboard dan Pigtail

StationBox® XL



Made For MikroTik



StationBox XL is designed for seamless integration with MikroTik RouterBoards RB911, RB711, RB411 and RB433. You can install virtually everything from integrated and compact RB911 up to powerful RB433 fully loaded with 3 wireless cards and ability to feed external antennas. Visibility of RouterBoard LEDs is also maintained.

Easy Installation





StationBox XL can be easily mounted on the pole or on the wall. Our newest generation of 3-Axis Bracket uses ball hinge with special fast locking system that can be operated with one hand, even when wearing winter gloves.

Robust & Durable

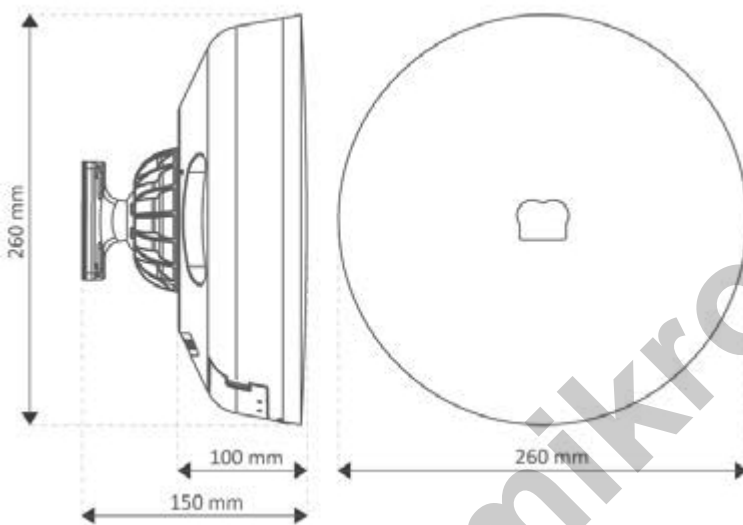
StationBox® XL is built to last. We use high quality UV resistant ABS plastic. Bracket Base is made of Diecast Aluminium, all hardware is made of Stainless Steel. Mechanical structure is computer simulated and tested.

Antenna Design

StationBox XL has built in dual polarization antenna. We create antennas using state of the art technology combined with experience and skills of our engineers. Antenna design is addressing customer requirements for improved gain, as well as front-to-back ratio and reduced side lobes in antenna radiation pattern.

TECHNICAL DATA

| | |
|-------------------|--|
| Material | UV stabilized and weather resistant ABS plastic, Diecast Aluminium, Stainless Steel |
| Flame Rating | UL 94 HB |
| Mounting Diameter | 50-70 mm |
| Operating Temp. | -30 to +60 °C |
| Wind Survival | 120 Km/h |
| Weight | 1.7 Kg / 3.75 lbs – single piece incl. package 18 Kg / 39.7 lbs – carton (10 pcs) |
| Single Piece | Retail Box: 34 × 27 × 10 cm |
| 10 pcs Box | Carton Box: 35 × 28 × 101 cm |



| ANTENNA PARAMETERS | 5GHz 19dBi MiMo |
|------------------------------------|--------------------------------------|
| Product ID: | SBXXLS19 |
| Frequency Range: | 5470-5850 MHz |
| Polarization: | Dual linear, Horizontal and Vertical |
| Gain (IEEE - w/antenna loss), max* | 19.0 dBi |
| Beamwidth, azimuth (H) plane* | 15° |
| Beamwidth, elevation (V) plane* | 14° |
| Front/Back ratio* | >24 dB |
| VSWR:* | max 1.5 (typical 1.25) |
| Isolation between ports | 27 dB |
| Impedance: | 50 Ohm |
| Max. Input Power: | 2 W |
| Antenna Connector(s): | 2 x MMCX |

* At frequency band center

* Harga, spesifikasi, dan ketersediaan bisa berubah dan tidak mengikat

URL : http://www.mikrotik.co.id/produk_lihat.php?id=355

Informasi lebih lanjut, pemesanan dan pembelian, hubungi: 0274-554444 atau email info@mikrotik.co.id