

# Symmetrical Horn SH-TP 5-60

SYMMETRICAL HORN ANTENNA WITH TWISTPORT CONNECTOR  
AND CARRIER CLASS PERFORMANCE

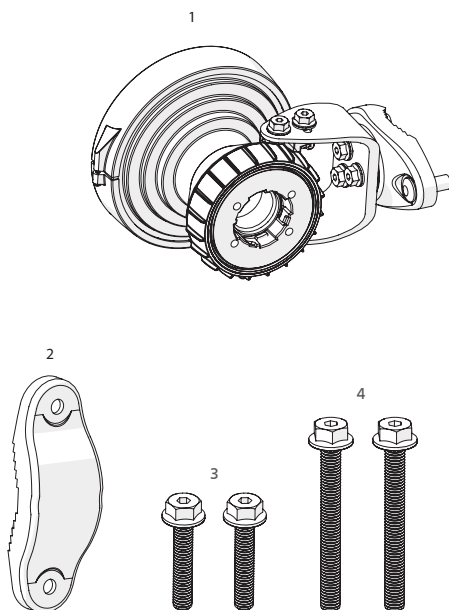




# Symmetrical Horn SH-TP 5-60

3

## Package Contents

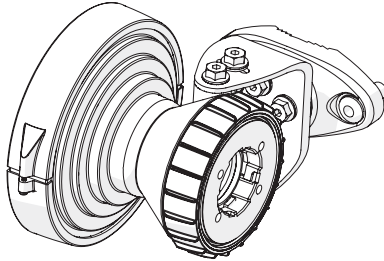


Number	Description	Quantity
1	SH-TP 5-60 Body	1x
2	SH-TP 5-60 Bracket	1x
3	M8 x 42,5mm Screw	2x
4	M8 x 73,5mm Screw	2x
5	2,9 x 16 mm lock Screw	1x

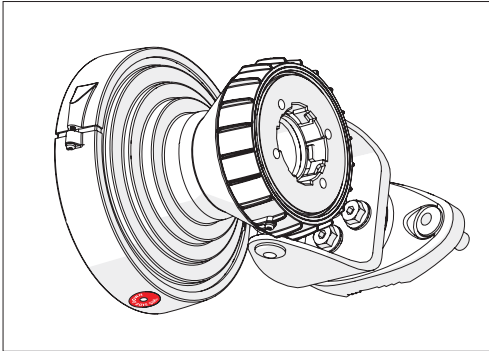
# Symmetrical Horn SH-TP 5-60

## Pre - Installation

The antenna is pre-assembled for installation on the left side of the pole.  
If you need to swap to use the right side of the pole, see page 10.

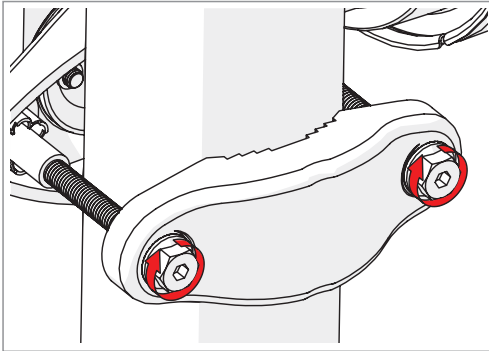
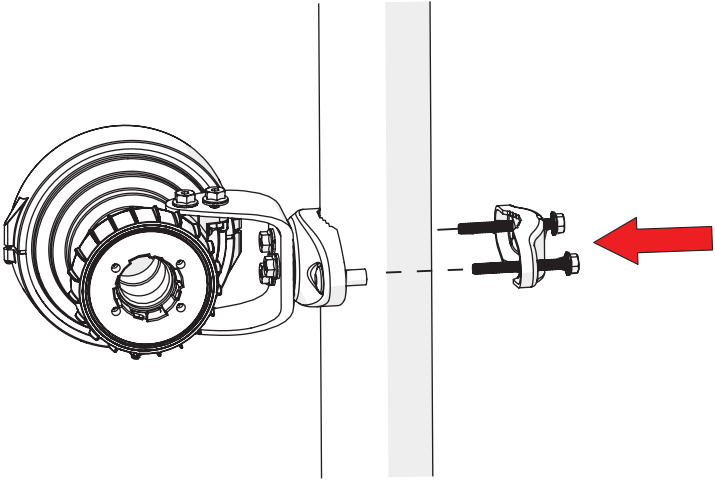


Ensure that the water drain points downwards!



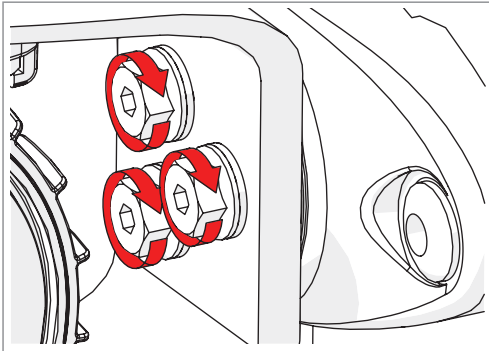
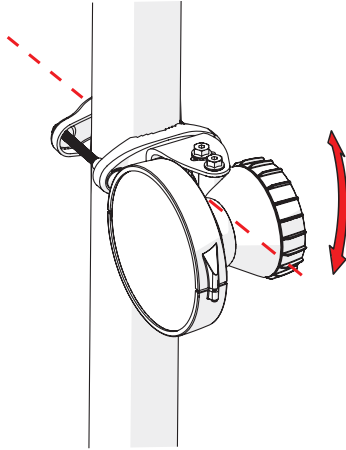
# Symmetrical Horn SH-TP 5-60

## Pole Installation



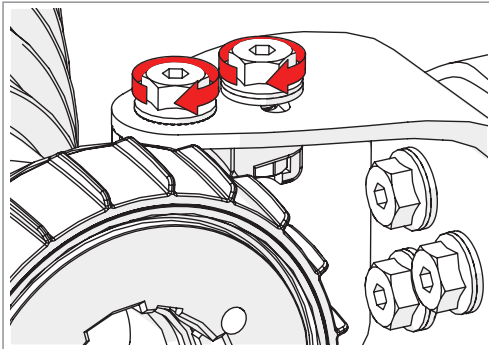
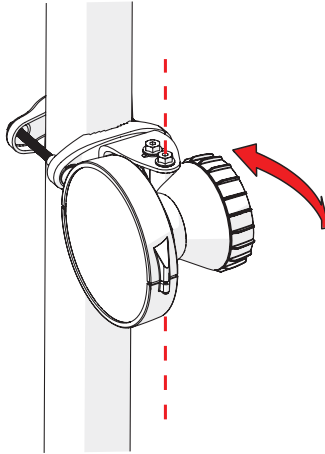
# Symmetrical Horn SH-TP 5-60

## Installation Guide



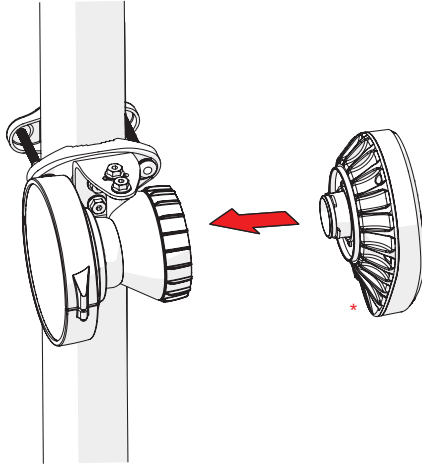
# Symmetrical Horn SH-TP 5-60

## Installation Guide

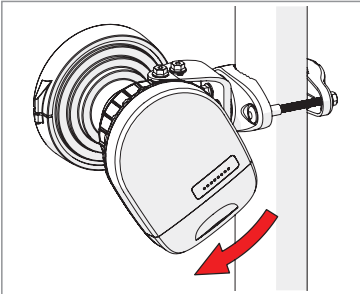


# Symmetrical Horn SH-TP 5-60

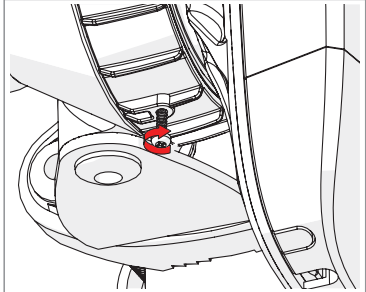
## Installation Guide



1



2 **Optional:** Install the 2.9 x 16mm locking screw.



Tighten the locking screw to secure the TwisPort lock mechanism.

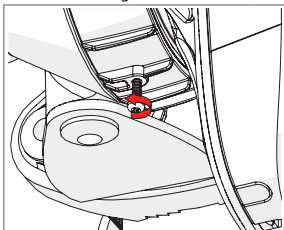
\*TwistPort™ Adaptor or SIMPER™ Radio sold separately.



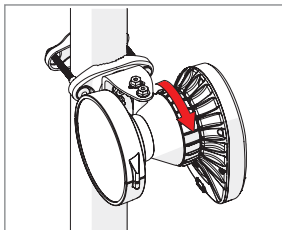
# Symmetrical Horn SH-TP 5-60

## Installation Guide

1 If the locking screw was used,

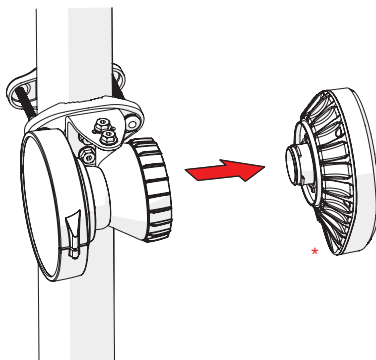
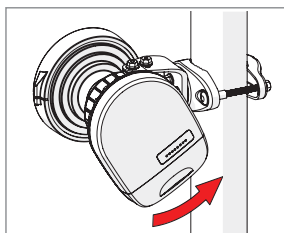


2



unscrew it by about 10 mm  
before unlocking the TwisPort mechanism.

3



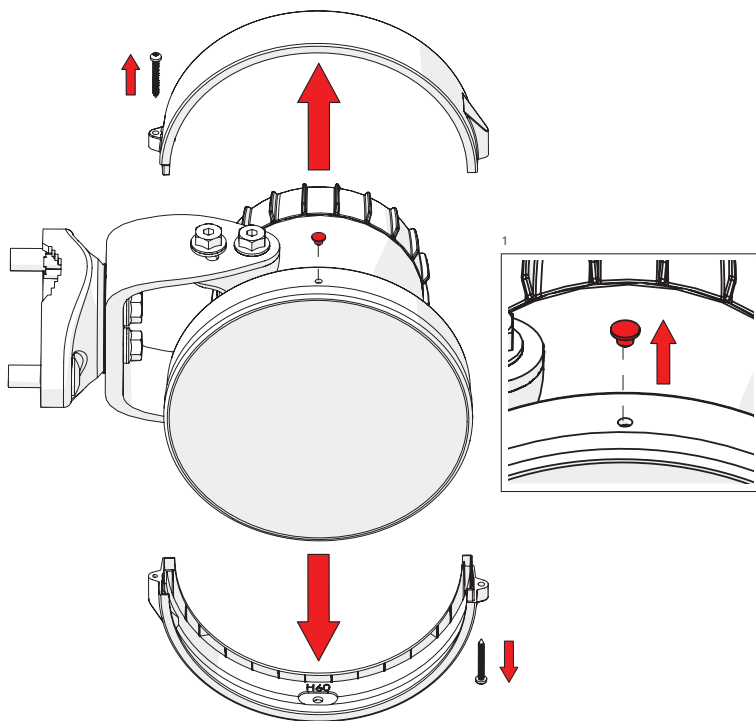
\* TwisPort™ Adaptor or SIMPER™ Radio sold separately.

# Symmetrical Horn SH-TP 5-60

10

## Pre - Installation

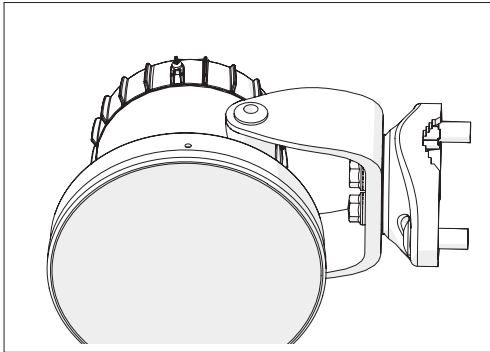
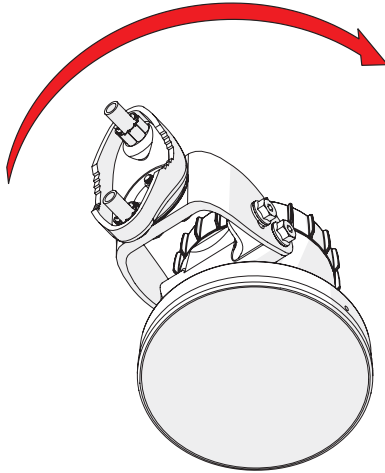
**Optional:** Right side of the pole mounting.



# Symmetrical Horn SH-TP 5-60

## Pre - Installation

**Optional:** Right side of the pole mounting.

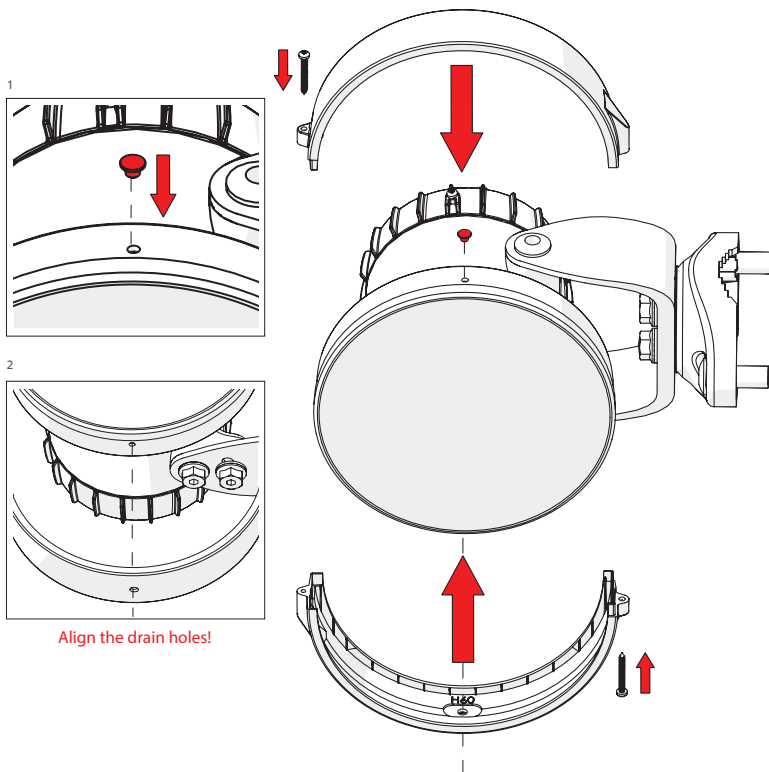


# Symmetrical Horn SH-TP 5-60

12

## Pre - Installation

**Optional:** Right side of the pole mounting.



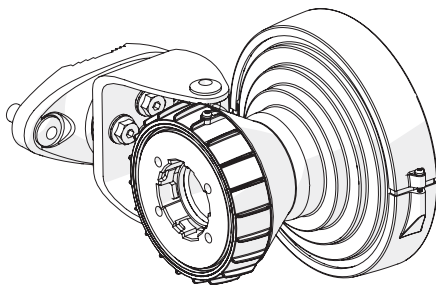
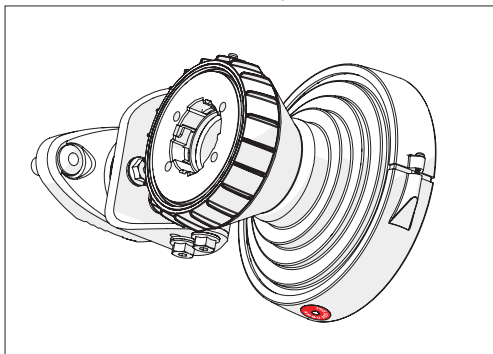
# Symmetrical Horn SH-TP 5-60

13

## Pre - Installation

**Optional:** Right side of the pole mounting, continue on page 5.

Ensure that the water drain points downwards!



# Compatible Devices

## **RF elements®**

any TwistPort™ Adaptor

any SIMPER™ Radio with TwistPort™ connector

RF elements®, SIMPER™ and TwistPort™  
are trademarks of RF elements s.r.o., Humenne, Slovakia.  
All rights of trademark owners reserved.





RF elements s.r.o.  
Phone: +421 2 3260 3711  
info@rfelements.com  
[www.rfelements.com](http://www.rfelements.com)